



# 800mA and 1A Low Dropout Positive Regulator 1.8V, 2.5V, 2.85, 3.3V, 5V, and Adjustable

## FEATURES

- FIXED AND ADJUSTABLE VERSIONS
- 2.85V MODEL FOR SCSI-2 ACTIVE TERMINATION
- OUTPUT CURRENT:  
REG1117: 800mA max  
REG117A: 1A max
- OUTPUT TOLERANCE:  $\pm 1\%$  max
- DROPOUT VOLTAGE:  
REG1117: 1.2V max at  $I_O = 800\text{mA}$   
REG117A: 1.3V max at  $I_O = 1\text{A}$
- INTERNAL CURRENT LIMIT
- THERMAL OVERLOAD PROTECTION
- SOT-223 AND DDPAK SURFACE-MOUNT PACKAGES

## APPLICATIONS

- SCSI-2 ACTIVE TERMINATION
- HAND-HELD DATA COLLECTION DEVICES
- HIGH EFFICIENCY LINEAR REGULATORS
- BATTERY-POWERED INSTRUMENTATION
- BATTERY MANAGEMENT CIRCUITS FOR NOTEBOOK AND PALMTOP PCs
- CORE VOLTAGE SUPPLY: FPGA, PLD, DSP, CPU

## DESCRIPTION

The REG1117 is a family of easy-to-use three-terminal voltage regulators. The family includes a variety of fixed- and adjustable-voltage versions, two currents (800mA and 1A) and two package types (SOT-223 and DDPAK). See the chart below for available options.

Output voltage of the adjustable versions is set with two external resistors. The REG1117 low dropout voltage allows its use with as little as 1V input-output voltage differential.

Laser trimming assures excellent output voltage accuracy without adjustment. An NPN output stage allows output stage drive to contribute to the load current for maximum efficiency.

| VOLTAGE    | 800mA   |       | 1A      |       |
|------------|---------|-------|---------|-------|
|            | SOT-223 | DDPAK | SOT-223 | DDPAK |
| 1.8V       |         |       | ✓       | ✓     |
| 2.5V       |         |       | ✓       | ✓     |
| 2.85V      | ✓       |       |         |       |
| 3.3V       | ✓       | ✓     |         |       |
| 5V         | ✓       |       |         | ✓     |
| Adjustable | ✓       |       | ✓       | ✓     |



Please be aware that an important notice concerning availability, standard warranty, and use in critical applications of Texas Instruments semiconductor products and disclaimers thereto appears at the end of this data sheet.

All trademarks are the property of their respective owners.

**ABSOLUTE MAXIMUM RATINGS(1)**

|  |                    |
|--|--------------------|
| Power Dissipation . . . . .                    | Internally Limited |
| Input Voltage . . . . .                        | +15V               |
| Operating Junction Temperature Range . . . . . | -40°C to +125°C    |
| Storage Temperature Range . . . . .            | -65°C to +150°C    |
| Lead Temperature (soldering, 10s)(2) . . . . . | +300°C             |

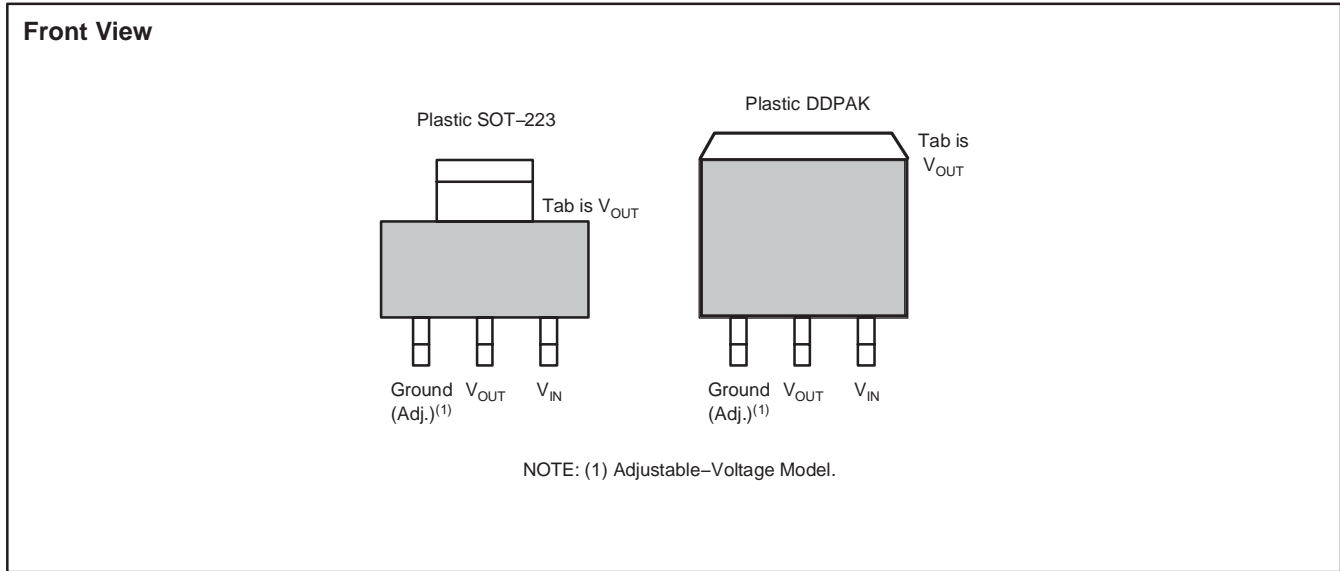
- (1) Stresses above these ratings may cause permanent damage.
- (2) See *Soldering Methods* section.



This integrated circuit can be damaged by ESD. Texas Instruments recommends that all integrated circuits be handled with appropriate precautions. Failure to observe proper handling and installation procedures can cause damage.

ESD damage can range from subtle performance degradation to complete device failure. Precision integrated circuits may be more susceptible to damage because very small parametric changes could cause the device not to meet its published specifications.

**CONNECTION DIAGRAM**



**PACKAGE/ORDERING INFORMATION(1)**

| PRODUCT       | $V_O/I_O$  | PACKAGE-LEAD | PACKAGE DESIGNATOR | OPERATING TEMPERATURE RANGE | PACKAGE MARKING | ORDERING NUMBER   | TRANSPORT MEDIA, QUANTITY |
|---------------|------------|--------------|--------------------|-----------------------------|-----------------|-------------------|---------------------------|
| REG1117-2.85  | 2.85/800mA | SOT223-3     | DCY                | -40°C to +125°C             | BB11172         | REG1117-2.85      | Rails, 80                 |
|               |            |              |                    |                             |                 | REG1117-2.85      | Tape and Reel, 2500       |
| REG1117-3.3   | 3.3/800mA  | SOT223-3     | DCY                | -40°C to +125°C             | BB11174         | REG1117-3.3       | Rails, 80                 |
|               |            |              |                    |                             |                 | REG1117-3.3       | Tape and Reel, 2500       |
| REG1117F-3.3  | 3.3/800mA  | DDPAK-3      | KTT                | -40°C to +125°C             | BB1117F4        | REG1117F-3.3KTTT  | Tape and Reel, 50         |
|               |            |              |                    |                             |                 | REG1117F-3.3/500  | Tape and Reel, 500        |
| REG1117-5     | 5V/800mA   | SOT223-3     | DCY                | -40°C to +125°C             | BB11175         | REG1117-5         | Rails, 80                 |
|               |            |              |                    |                             |                 | REG1117-5         | Tape and Reel, 2500       |
| REG1117       | Adj./800mA | SOT223-3     | DCY                | -40°C to +125°C             | BB1117          | REG1117           | Rails, 80                 |
|               |            |              |                    |                             |                 | REG1117           | Tape and Reel, 2500       |
| REG1117A-1.8  | 1.8V/1A    | SOT223-3     | DCY                | -40°C to +125°C             | R111718         | REG1117A-1.8      | Rails, 80                 |
|               |            |              |                    |                             |                 | REG1117A-1.8      | Tape and Reel, 2500       |
| REG1117FA-1.8 | 1.8/1A     | DDPAK-3      | KTT                | -40°C to +125°C             | REG1117FA1.8    | REG1117FA-1.8KTTT | Tape and Reel, 50         |
|               |            |              |                    |                             |                 | REG1117FA-1.8/500 | Tape and Reel, 500        |
| REG1117A-2.5  | 2.5/1A     | SOT223-3     | DCY                | -40°C to +125°C             | R111725         | REG1117A-2.5      | Rails, 80                 |
|               |            |              |                    |                             |                 | REG1117A-2.5      | Tape and Reel, 2500       |
| REG1117FA-2.5 | 2.5/1A     | DDPAK-3      | KTT                | -40°C to +125°C             | REG1117FA2.5    | REG1117FA-2.5KTTT | Tape and Reel, 50         |
|               |            |              |                    |                             |                 | REG1117FA-2.5/500 | Tape and Reel, 500        |
| REG1117FA-5   | 5/1A       | DDPAK-3      | KTT                | -40°C to +125°C             | BB1117FA5.0     | REG1117FA-5/KTTT  | Tape and Reel, 50         |
|               |            |              |                    |                             |                 | REG1117FA-5/500   | Tape and Reel, 500        |
| REG1117A      | Adj./1A    | SOT223-3     | DCY                | -40°C to +125°C             | BB1117A         | REG1117A          | Rails, 80                 |
|               |            |              |                    |                             |                 | REG1117A          | Tape and Reel, 2500       |
| REG1117FA     | Adj./1A    | DDPAK-3      | KTT                | -40°C to +125°C             | REG1117FA       | REG1117FA/KTTT    | Tape and Reel, 50         |
|               |            |              |                    |                             |                 | REG1117FA/500     | Tape and Reel, 500        |

(1) For the most current package and ordering information, see the Package Option Addendum located at the end of this data sheet.

**ELECTRICAL CHARACTERISTICS**

At  $T_J = +25^\circ\text{C}$ , unless otherwise noted.

| PARAMETER                               | CONDITION  | REG1117, REG1117A |       |       | UNIT |
|---|--|-------------------|-------|-------|------|
|   |  | MIN               | TYP   | MAX   |      |
| <b>OUTPUT VOLTAGE</b>                   |  |                   |       |       |      |
| REG1117-2.85                            | $I_O = 10\text{mA}, V_{IN} = 4.85\text{V}$                                     | 2.820             | 2.85  | 2.880 | V    |
| See Note 1                              | $I_O = 0 \text{ to } 800\text{mA}, V_{IN} = 4.05\text{V to } 10\text{V}$       | 2.790             | 2.85  | 2.910 | V    |
| REG1117-3.3                             | $I_O = 10\text{mA}, V_{IN} = 5.3\text{V}$                                      | 3.270             | 3.30  | 3.330 | V    |
| See Note 1                              | $I_O = 0 \text{ to } 800\text{mA}, V_{IN} = 4.8\text{V to } 10\text{V}$        | 3.240             | 3.30  | 3.360 | V    |
| REG1117-5                               | $I_O = 10\text{mA}, V_{IN} = 7\text{V}$  | 4.950             | 5.00  | 5.050 | V    |
| See Note 1                              | $I_O = 0 \text{ to } 800\text{mA}, V_{IN} = 6.5\text{V to } 10\text{V}$        | 4.900             | 5.00  | 5.100 | V    |
| REG1117A-1.8                            | $I_O = 10\text{mA}, V_{IN} = 3.8\text{V}$                                      | 1.782             | 1.8   | 1.818 | V    |
| See Note 1                              | $I_O = 0 \text{ to } 1\text{A}, V_{IN} = 3.8\text{V to } 10\text{V}$           | 1.764             | 1.8   | 1.836 | V    |
| REG1117A-2.5                            | $I_O = 10\text{mA}, V_{IN} = 4.5\text{V}$                                      | 2.475             | 2.5   | 2.525 | V    |
| See Note 1                              | $I_O = 0 \text{ to } 1\text{A}, V_{IN} = 4.5\text{V to } 10\text{V}$           | 2.450             | 2.5   | 2.550 | V    |
| REG1117A-5                              | $I_O = 10\text{mA}, V_{IN} = 7\text{V}$  | 4.950             | 5.0   | 5.050 | V    |
| See Note 1                              | $I_O = 0 \text{ to } 1\text{A}, V_{IN} = 7\text{V to } 10\text{V}$             | 4.900             | 5.0   | 5.100 | V    |
| <b>REFERENCE VOLTAGE</b>                |  |                   |       |       |      |
| REG1117 (Adjustable)                    | $I_O = 10\text{mA}, V_{IN} - V_O = 2\text{V}$                                  | 1.238             | 1.250 | 1.262 | V    |
| See Note 1                              | $I_O = 10 \text{ to } 800\text{mA}, V_{IN} - V_O = 1.4 \text{ to } 10\text{V}$ | 1.225             | 1.250 | 1.280 | V    |
| REG1117A (Adjustable)                   | $I_O = 10\text{mA}, V_{IN} - V_O = 2\text{V}$                                  | 1.238             | 1.250 | 1.262 | V    |
| See Note 1                              | $I_O = 10\text{mA to } 1\text{A}, V_{IN} - V_O = 1.4 \text{ to } 10\text{V}$   | 1.225             | 1.250 | 1.280 | V    |
| <b>LINE REGULATION</b>                  |  |                   |       |       |      |
| REG1117-2.85 <sup>(1)</sup>             | $I_O = 0, V_{IN} = 4.25 \text{ to } 10\text{V}$                                |                   | 1     | 7     | mV   |
| REG1117-3.3 <sup>(1)</sup>              | $I_O = 0, V_{IN} = 4.8 \text{ to } 10\text{V}$                                 |                   | 2     | 7     | mV   |
| REG1117-5 <sup>(1)</sup>                | $I_O = 0, V_{IN} = 6.5 \text{ to } 15\text{V}$                                 |                   | 3     | 10    | mV   |
| REG1117 (Adjustable) <sup>(1)</sup>     | $I_O = 10\text{mA}, V_{IN} - V_O = 1.5 \text{ to } 13.75\text{V}$              |                   | 0.1   | 0.4   | %    |
| REG1117A (Adjustable) <sup>(1)</sup>    | $I_O = 10\text{mA}, V_{IN} - V_O = 1.5 \text{ to } 13.75\text{V}$              |                   | 0.1   | 0.4   | %    |
| REG1117A-1.8 <sup>(1)</sup>             | $I_O = 0, V_{IN} = 3.8\text{V to } 10\text{V}$                                 |                   | 1     | 7     | mV   |
| REG1117A-2.5 <sup>(1)</sup>             | $I_O = 0, V_{IN} = 4.5\text{V to } 10\text{V}$                                 |                   | 1     | 7     | mV   |
| REG1117A-5.0 <sup>(1)</sup>             | $I_O = 0, V_{IN} = 7\text{V to } 15\text{V}$                                   |                   | 3     | 10    | mV   |
| <b>LOAD REGULATION</b>                  |  |                   |       |       |      |
| REG1117-2.85 <sup>(1)</sup>             | $I_O = 0 \text{ to } 800\text{mA}, V_{IN} = 4.25\text{V}$                      |                   | 2     | 10    | mV   |
| REG1117-3.3 <sup>(1)</sup>              | $I_O = 0 \text{ to } 800\text{mA}, V_{IN} = 4.8\text{V}$                       |                   | 3     | 12    | mV   |
| REG1117-5 <sup>(1)</sup>                | $I_O = 0 \text{ to } 800\text{mA}, V_{IN} = 6.5\text{V}$                       |                   | 3     | 15    | mV   |
| REG1117 (Adjustable) <sup>(1)(2)</sup>  | $I_O = 10 \text{ to } 800\text{mA}, V_{IN} - V_O = 3\text{V}$                  |                   | 0.1   | 0.4   | %    |
| REG1117A (Adjustable) <sup>(1)(2)</sup> | $I_O = 10\text{mA to } 1\text{A}, V_{IN} - V_O = 3\text{V}$                    |                   | 0.1   | 0.4   | %    |
| REG1117A-1.8 <sup>(1)</sup>             | $I_O = 0 \text{ to } 1\text{A}, V_{IN} = 3.8\text{V}$                          |                   | 2     | 10    | mV   |
| REG1117A-2.5                            | $I_O = 0 \text{ to } 1\text{A}, V_{IN} = 4.5\text{V}$                          |                   | 2     | 10    | mV   |
| REG1117A-5                              | $I_O = 0 \text{ to } 1\text{A}, V_{IN} = 7.0\text{V}$                          |                   | 3     | 15    | mV   |
| <b>DROPOUT VOLTAGE<sup>(3)</sup></b>    |  |                   |       |       |      |
| All Models <sup>(1)</sup>               | $I_O = 100\text{mA}$   |                   | 1.00  | 1.10  | V    |
| See Note 1                              | $I_O = 500\text{mA}$   |                   | 1.05  | 1.15  | V    |
| REG1117 Models <sup>(1)</sup>           | $I_O = 800\text{mA}$   |                   | 1.10  | 1.20  | V    |
| REG1117A                                | $I_O = 1\text{A}$  |                   | 1.2   | 1.30  | V    |
| See Note 1                              | $I_O = 1\text{A}$  |                   | 1.2   | 1.55  | V    |

(1) Specification applies over the full specified junction temperature range,  $0^\circ\text{C}$  to  $+125^\circ\text{C}$ .

(2) REG1117 and REG1117A adjustable versions require a minimum load current for  $\pm 3\%$  regulation.

(3) Dropout voltage is the input voltage minus output voltage that produces a 1% decrease in output voltage.

(4) Percentage change in unloaded output voltage before versus after a 30ms power pulse of  $I_O = 800\text{mA}$  (REG1117 models),  $I_O = 1\text{A}$  (REG1117A),  $V_{IN} - V_O = 1.4\text{V}$  (reading taken 10ms after pulse).

**ELECTRICAL CHARACTERISTICS (continued)**

 At  $T_J = +25^\circ\text{C}$ , unless otherwise noted.

| PARAMETER                                      | CONDITION   | REG1117, REG1117A |       |      | UNIT                      |
|--|---|-------------------|-------|------|---------------------------|
|  |   | MIN               | TYP   | MAX  |                           |
| <b>CURRENT LIMIT</b>                           |   |                   |       |      |                           |
| REG1117 Models                                 | $V_{IN} - V_O = 5V$   | 800               | 950   | 1200 | mA                        |
| REG1117A                                       | $V_{IN} - V_O = 5V$   | 1000              | 1250  | 1600 | mA                        |
| <b>MINIMUM LOAD CURRENT</b>                    |   |                   |       |      |                           |
| Adjustable Models <sup>(1)(2)</sup>            | $V_{IN} - V_O = 13.75V$   |                   | 1.7   | 5    | mA                        |
| <b>QUIESCENT CURRENT</b>                       |   |                   |       |      |                           |
| Fixed-Voltage Models <sup>(1)</sup>            | $V_{IN} - V_O = 5V$   |                   | 4     | 10   | mA                        |
| <b>ADJUSTABLE PIN CURRENT<sup>(1)(2)</sup></b> |   |                   |       |      |                           |
| vs Load Current, REG1117 <sup>(1)</sup>        | $I_O = 10\text{mA}$ , $V_{IN} - V_O = 1.4$ to $10V$                   |                   | 50    | 120  | $\mu\text{A}$             |
| vs Load Current, REG1117A <sup>(1)</sup>       | $I_O = 10\text{mA}$ to $800\text{mA}$ , $V_{IN} - V_O = 1.4$ to $10V$ |                   | 0.5   | 5    | $\mu\text{A}$             |
|  | $I_O = 10\text{mA}$ to $1A$ , $V_{IN} - V_O = 1.4$ to $10V$           |                   | 0.5   | 5    | $\mu\text{A}$             |
| <b>THERMAL REGULATION</b>                      |   |                   |       |      |                           |
| All Models <sup>(4)</sup>                      | 30ms Pulse  |                   | 0.01  | 0.1  | %/W                       |
| <b>RIPPLE REJECTION</b>                        |   |                   |       |      |                           |
| All Models                                     | $f = 120\text{Hz}$ , $V_{IN} - V_{OUT} = 3V + 1V_{PP}$ Ripple         |                   | 62    |      | dB                        |
| <b>TEMPERATURE DRIFT</b>                       |   |                   |       |      |                           |
| Fixed-Voltage Models                           | $T_J = 0^\circ\text{C}$ to $+125^\circ\text{C}$                       |                   | 0.5   |      | %                         |
| Adjustable Models                              | $T_J = 0^\circ\text{C}$ to $+125^\circ\text{C}$                       |                   | 2     |      | %                         |
| <b>LONG-TERM STABILITY</b>                     |   |                   |       |      |                           |
| All Models                                     | $T_A = 125^\circ\text{C}$ , 1000Hr                                    |                   | 0.3   |      | %                         |
| <b>OUTPUT NOISE</b>                            |   |                   |       |      |                           |
| rms Noise, All Models                          | $f = 10\text{Hz}$ to $10\text{kHz}$                                   |                   | 0.003 |      | %                         |
| <b>THERMAL RESISTANCE</b>                      |   |                   |       |      |                           |
| Thermal Resistance, $\theta_{JC}$              | (Junction-to-Case at Tab)   |                   |       |      |                           |
| 3-Lead SOT-223 Surface-Mount                   |   |                   | 15    |      | $^\circ\text{C}/\text{W}$ |
| 3-Lead DDPAK Surface-Mount                     | $f > 50\text{Hz}$   |                   | 2     |      | $^\circ\text{C}/\text{W}$ |
|  | dc  |                   | 3     |      | $^\circ\text{C}/\text{W}$ |
| Thermal Resistance, $\theta_{JA}$              | (Junction-to-Case at Tab)   |                   |       |      |                           |
| 3-Lead DDPAK Surface-Mount                     | No Heatsink   |                   | 65    |      | $^\circ\text{C}/\text{W}$ |

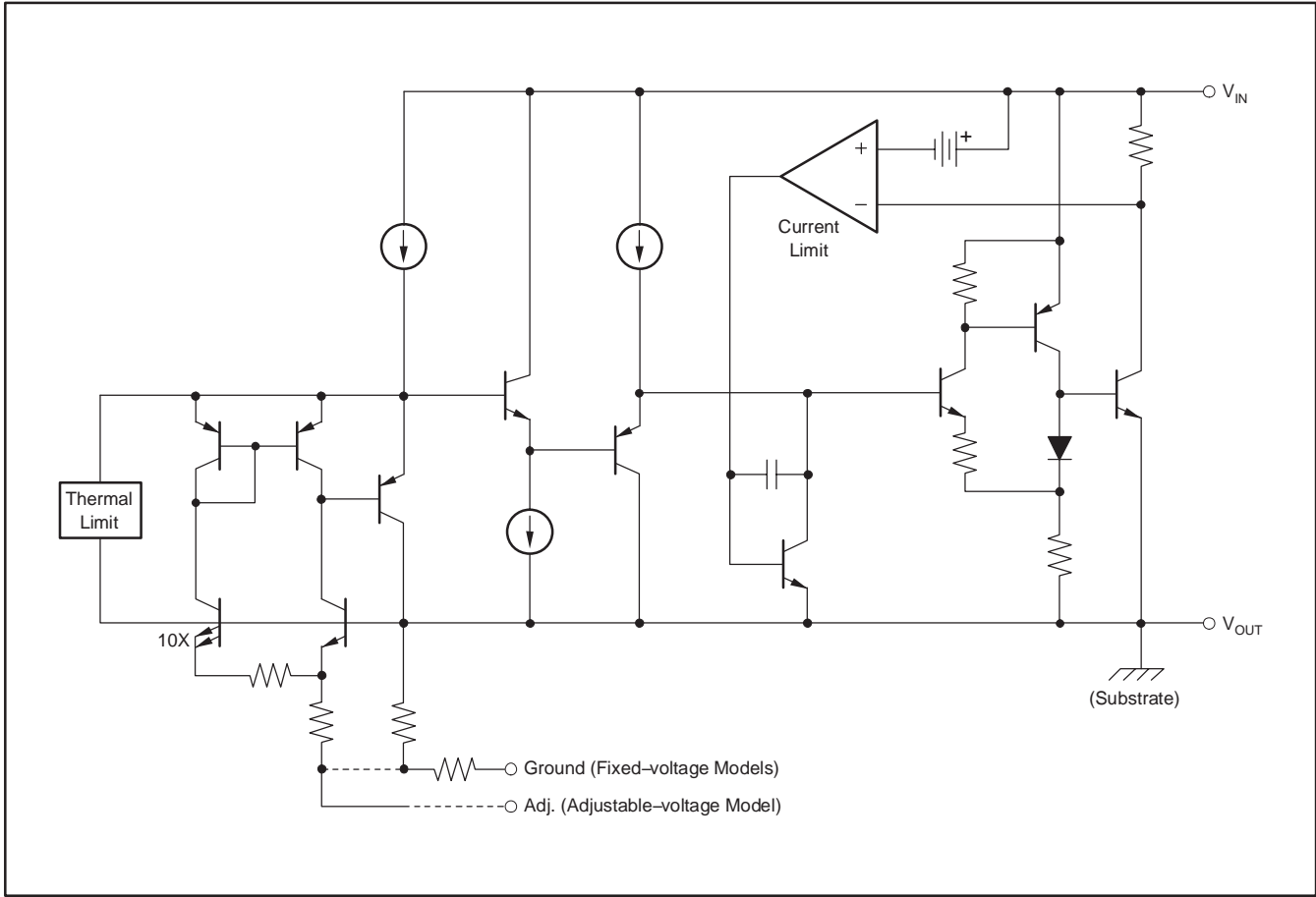
 (1) Specification applies over the full specified junction temperature range,  $0^\circ\text{C}$  to  $+125^\circ\text{C}$ .

 (2) REG1117 and REG1117A adjustable versions require a minimum load current for  $\pm 3\%$  regulation.

(3) Dropout voltage is the input voltage minus output voltage that produces a 1% decrease in output voltage.

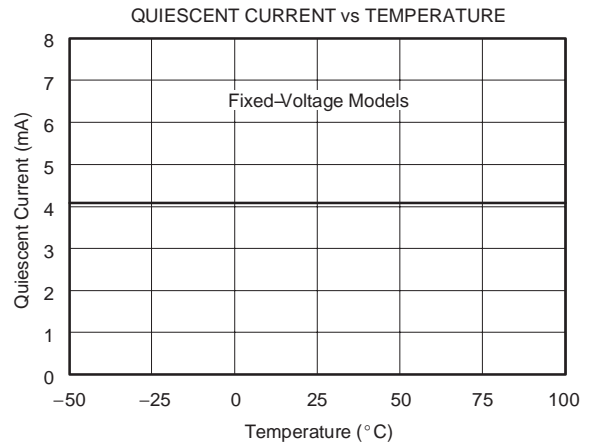
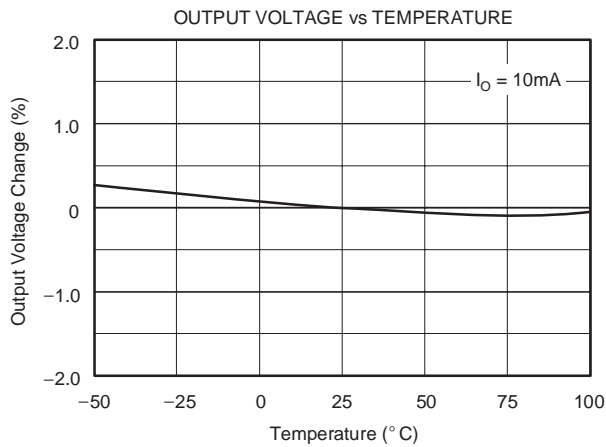
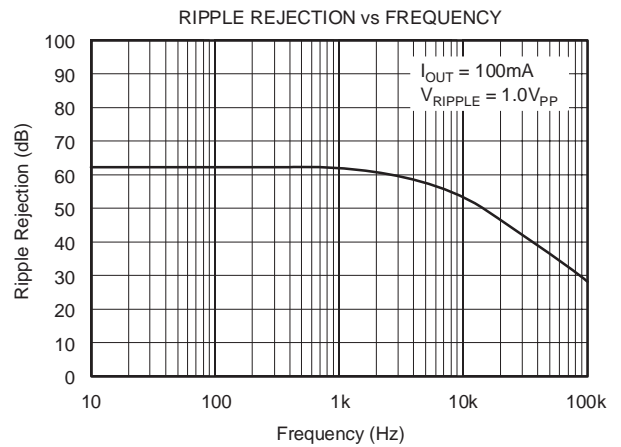
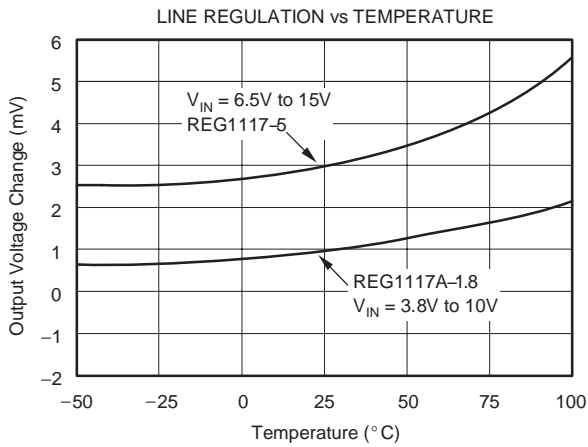
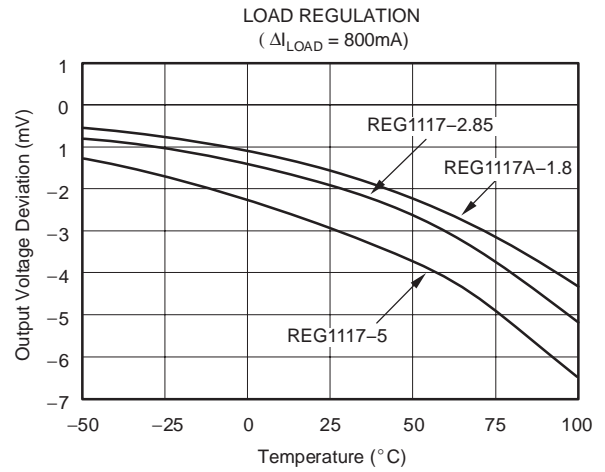
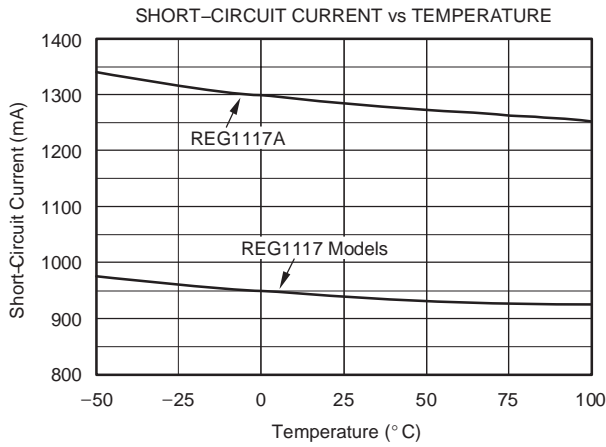
 (4) Percentage change in unloaded output voltage before versus after a 30ms power pulse of  $I_O = 800\text{mA}$  (REG1117 models),  $I_O = 1A$  (REG1117A),  $V_{IN} - V_O = 1.4V$  (reading taken 10ms after pulse).

SIMPLIFIED SCHEMATIC



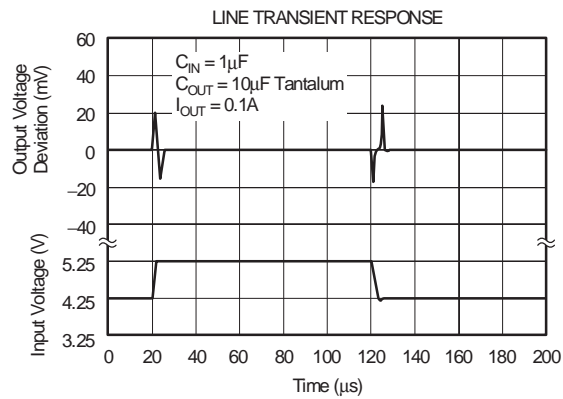
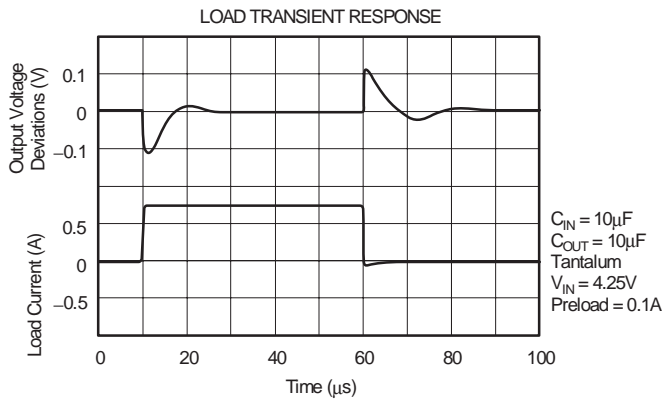
## TYPICAL CHARACTERISTICS

At  $T_A = +25^\circ\text{C}$ , all models, unless otherwise noted.



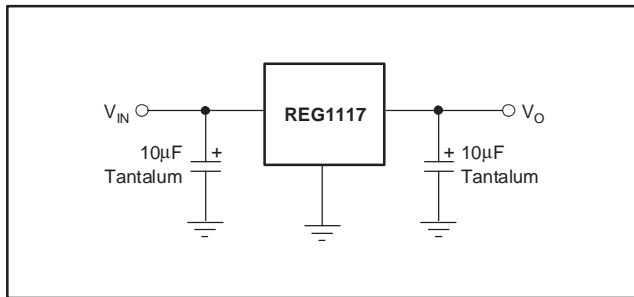
**TYPICAL CHARACTERISTICS (continued)**

At  $T_A = +25^\circ\text{C}$ , all models, unless otherwise noted.



**APPLICATIONS INFORMATION**

Figure 1 shows the basic hookup diagram for fixed-voltage models. All models require an output capacitor for proper operation, and for improving high-frequency load regulation; a  $10\mu\text{F}$  tantalum capacitor is recommended. Aluminum electrolytic types of  $50\mu\text{F}$  or greater can also be used. A high-quality capacitor should be used to assure that the ESR (Effective Series Resistance) is less than  $0.5\Omega$ .



**Figure 1. Fixed-Voltage Model—Basic Connections**

Figure 2 shows a hookup diagram for the adjustable voltage model. Resistor values are shown for some commonly-used output voltages. Values for other voltages can be calculated from the equation shown in Figure 2. For best load regulation, connect  $R_1$  close to the output pin and  $R_2$  close to the ground side of the load as shown.

**THERMAL CONSIDERATIONS**

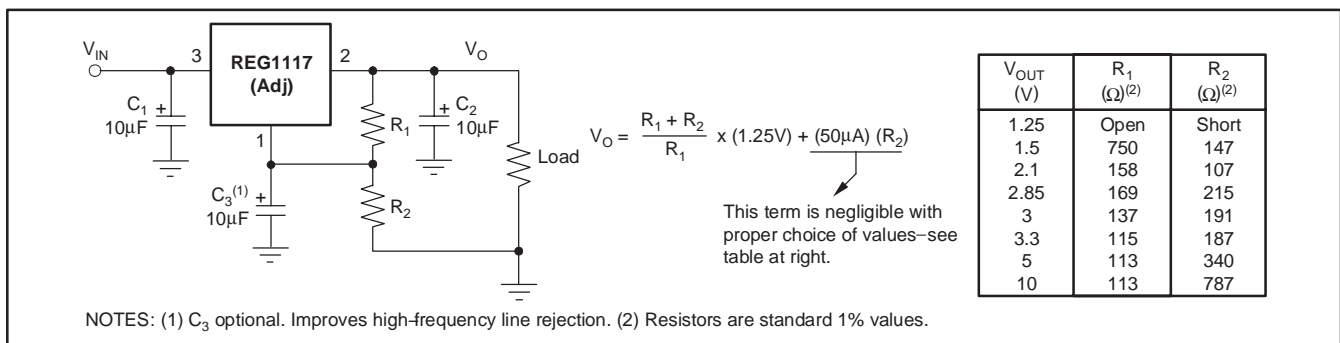
The REG1117 has current limit and thermal shutdown circuits that protect it from overload. The thermal shutdown activates at approximately  $T_J = 165^\circ\text{C}$ . For continuous operation, however, the junction temperature should not be allowed to exceed  $125^\circ\text{C}$ . Any tendency to activate the thermal shutdown in normal use is an indication of an inadequate heat sink or excessive power dissipation. The power dissipation is equal to:

$$P_D = (V_{IN} - V_{OUT}) I_{OUT}$$

The junction temperature can be calculated by:

$$T_J = T_A + P_D (\theta_{JA})$$

where  $T_A$  is the ambient temperature, and  $\theta_{JA}$  is the junction-to-ambient thermal resistance.



**Figure 2. Adjustable-Voltage Model—Basic Connections**



A simple experiment will determine whether the maximum recommended junction temperature is exceeded in an actual circuit board and mounting configuration: Increase the ambient temperature above that expected in normal operation until the device's thermal shutdown is activated. If this occurs at more than 40°C above the maximum expected ambient temperature, then  $T_J$  will be less than 125°C during normal operation.

The internal protection circuitry of the REG1117 was designed to protect against overload conditions. It was not intended to replace proper heat sinking. Continuously running the REG1117 into thermal shutdown will degrade reliability.

### LAYOUT CONSIDERATIONS

The DDPAK (REG1117F-3.3 and REG1117FA) is a surface-mount power package that has excellent thermal characteristics. For best thermal performance, the mounting tab should be soldered directly to a circuit board copper area, as shown in Figure 3. Increasing the copper area improves heat dissipation. Figure 4 shows typical thermal resistance from junction-to-ambient as a function of the copper area.

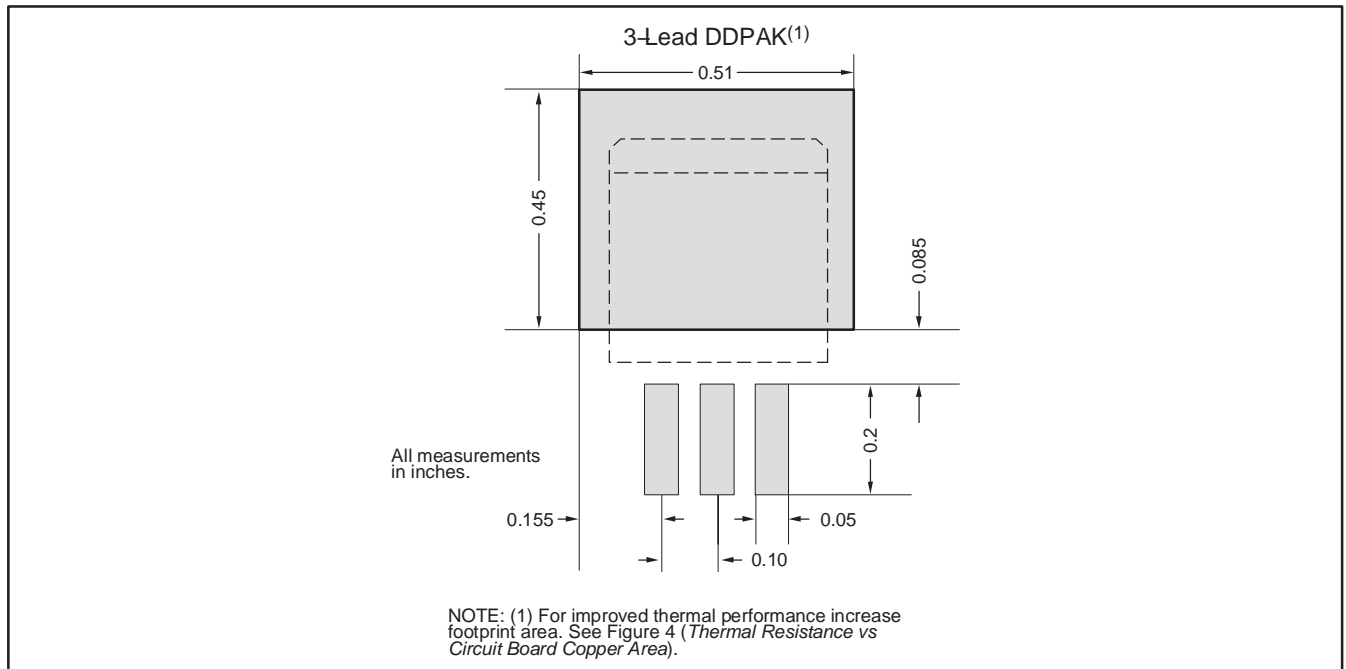


Figure 3. DDPAK Footprint

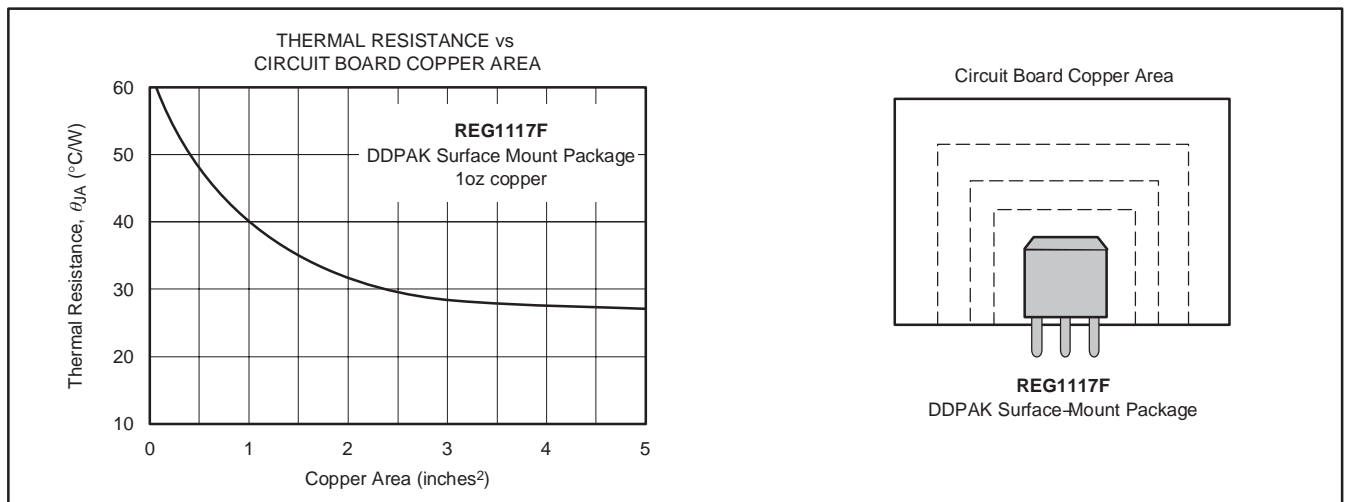


Figure 4. DDPAK Thermal Resistance versus Circuit Board Copper Area

The SOT-223 package derives heat sinking from conduction through its copper leads, especially the large mounting tab. These must be soldered to a circuit board with a substantial amount of copper remaining, as shown in Figure 5. Circuit board traces connecting the tab and the leads should be made as large as practical. The mounting tab of both packages is electrically connected to  $V_{OUT}$ .

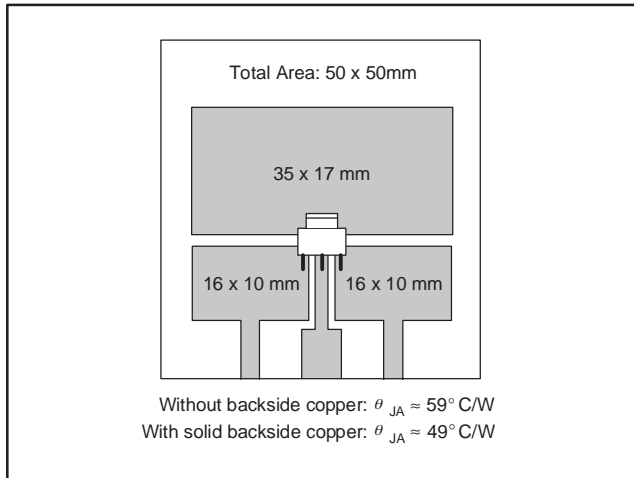


Figure 5. SOT-223 Circuit Board Layout Example

Other nearby circuit traces, including those on the back side of the circuit board, help conduct heat away from the device, even though they may not be electrically connected. Make all nearby copper traces as wide as possible and leave only narrow gaps between traces.

Table 1 shows approximate values of  $\theta_{JA}$  for various circuit board and copper areas for the SOT-223 package. Nearby heat dissipating components, circuit board mounting conditions, and ventilation can dramatically affect the actual  $\theta_{JA}$ . Proper heat sinking significantly increases the maximum power dissipation at a given ambient temperature, as shown in Figure 6.

Table 1. SOT-223  $\theta_{JA}$  for Various Board Configurations

| TOTAL PC BOARD AREA | TOPSIDE(1) COPPER AREA | BACKSIDE COPPER AREA | SOT-223 THERMAL RESISTANCE JUNCTION-TO-AMBIENT |
|---------------------|------------------------|----------------------|--|
| 2500mm <sup>2</sup> | 2500mm <sup>2</sup>    | 2500mm <sup>2</sup>  | 46°C/W   |
| 2500mm <sup>2</sup> | 1250mm <sup>2</sup>    | 2500mm <sup>2</sup>  | 47°C/W   |
| 2500mm <sup>2</sup> | 950mm <sup>2</sup>     | 2500mm <sup>2</sup>  | 49°C/W   |
| 2500mm <sup>2</sup> | 2500mm <sup>2</sup>    | 0                    | 51°C/W   |
| 2500mm <sup>2</sup> | 1800mm <sup>2</sup>    | 0                    | 53°C/W   |
| 1600mm <sup>2</sup> | 600mm <sup>2</sup>     | 1600mm <sup>2</sup>  | 55°C/W   |
| 2500mm <sup>2</sup> | 1250mm <sup>2</sup>    | 0                    | 58°C/W   |
| 2500mm <sup>2</sup> | 915mm <sup>2</sup>     | 0                    | 59°C/W   |
| 1600mm <sup>2</sup> | 600mm <sup>2</sup>     | 0                    | 67°C/W   |
| 900mm <sup>2</sup>  | 340mm <sup>2</sup>     | 900mm <sup>2</sup>   | 72°C/W   |
| 900mm <sup>2</sup>  | 340mm <sup>2</sup>     | 0                    | 85°C/W   |

(1) Tab is attached to the topside copper.

## SOLDERING METHODS

Both REG1117 packages are suitable for infrared reflow and vapor-phase reflow soldering techniques. The high rate of temperature change that occurs with wave soldering or hand soldering can damage the REG1117.

INSPEC Abstract Number: B91007604, C91012627. Kelly, E.G. "Thermal Characteristics of Surface 5WK9Ω Packages." The Proceedings of SMTCON. Surface Mount Technology Conference and Exposition: Competitive Surface Mount Technology, April 3–6, 1990, Atlantic City, NJ, USA. Abstract Publisher: IC Manage, 1990, Chicago, IL, USA.

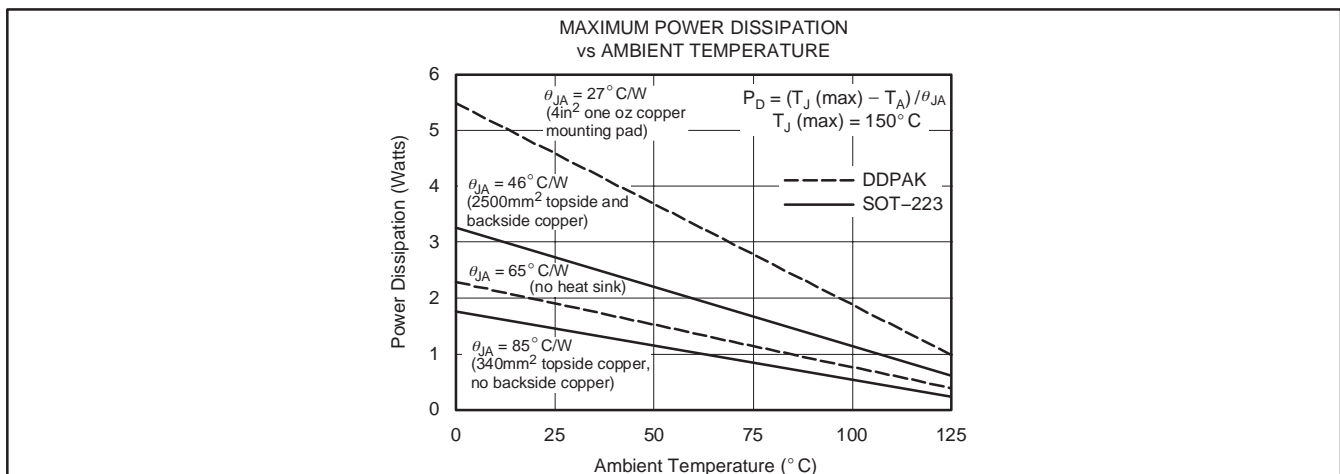


Figure 6. Maximum Power Dissipation versus Ambient Temperature

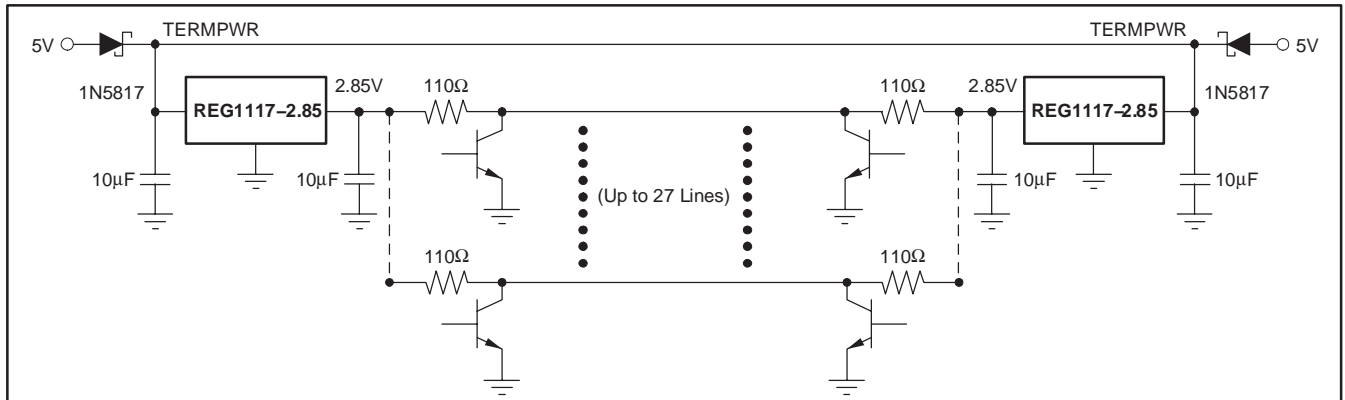


Figure 7. SCSI Active Termination Configuration

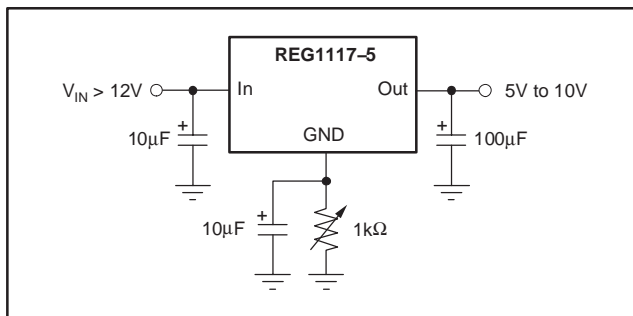


Figure 8. Adjusting Output of Fixed Voltage Models

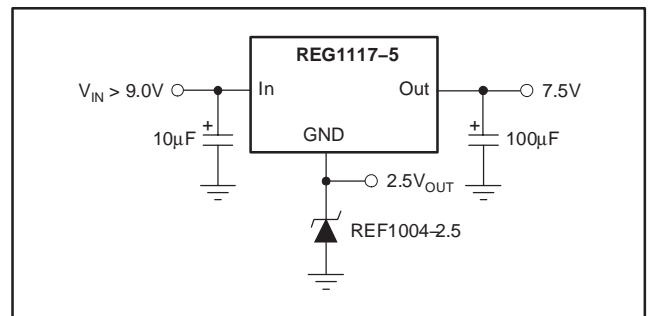


Figure 9. Regulator with Reference

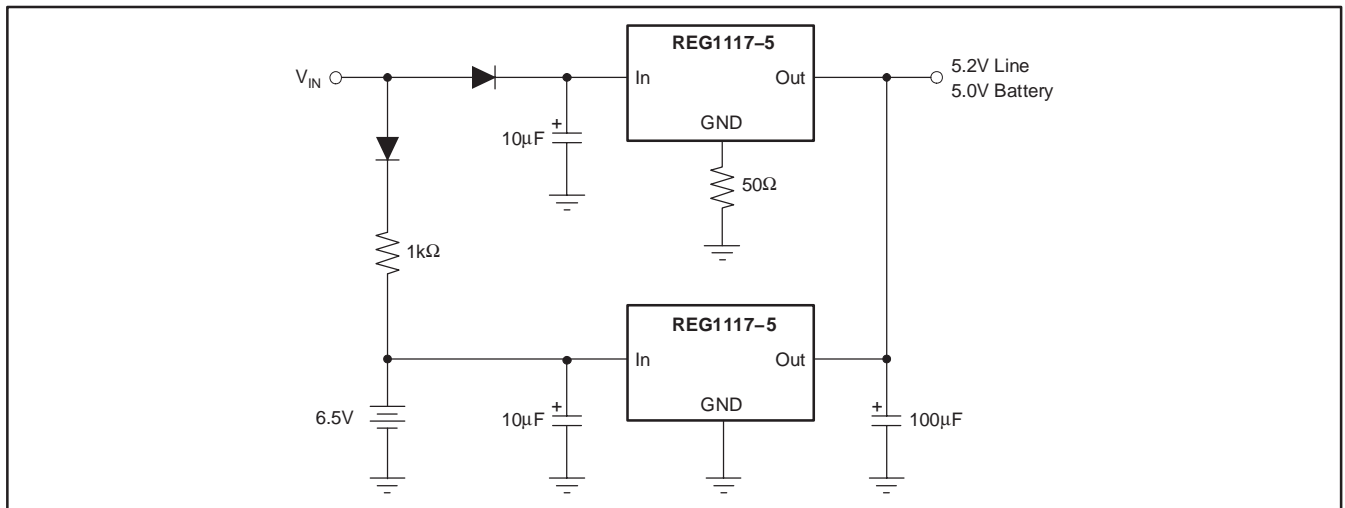


Figure 10. Battery Backed-Up Regulated Supply

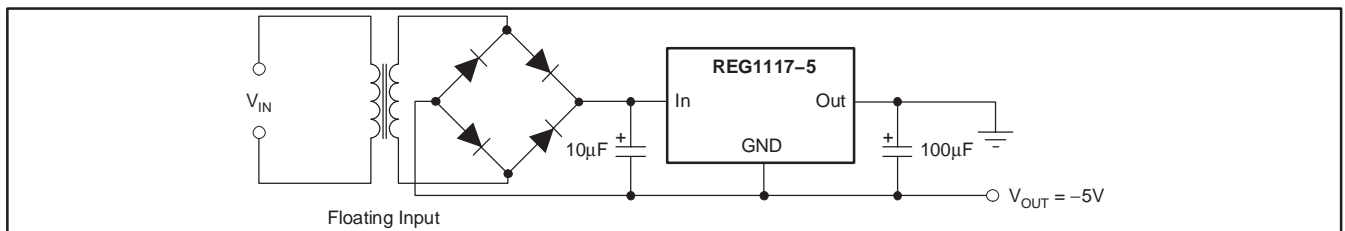


Figure 11. Low Dropout Negative Supply

**PACKAGING INFORMATION**

| Orderable Device  | Status<br>(1) | Package Type | Package Drawing | Pins | Package Qty | Eco Plan<br>(2) | Lead finish/<br>Ball material<br>(6) | MSL Peak Temp<br>(3) | Op Temp (°C) | Device Marking<br>(4/5) | Samples                 |
|-------------------|---------------|--------------|-----------------|------|-------------|-----------------|--------------------------------------|----------------------|--------------|-------------------------|-------------------------|
| REG1117           | ACTIVE        | SOT-223      | DCY             | 4    | 80          | RoHS & Green    | NIPDAU                               | Level-1-260C-UNLIM   | -40 to 125   | BB1117                  | <a href="#">Samples</a> |
| REG1117-2.85      | ACTIVE        | SOT-223      | DCY             | 4    | 80          | RoHS & Green    | NIPDAU                               | Level-1-260C-UNLIM   | -40 to 125   | BB11172                 | <a href="#">Samples</a> |
| REG1117-2.85/2K5  | ACTIVE        | SOT-223      | DCY             | 4    | 2500        | RoHS & Green    | NIPDAU                               | Level-1-260C-UNLIM   | -40 to 125   | BB11172                 | <a href="#">Samples</a> |
| REG1117-2.85G4    | ACTIVE        | SOT-223      | DCY             | 4    | 80          | RoHS & Green    | NIPDAU                               | Level-1-260C-UNLIM   | -40 to 125   | BB11172                 | <a href="#">Samples</a> |
| REG1117-3.3       | ACTIVE        | SOT-223      | DCY             | 4    | 80          | RoHS & Green    | NIPDAU                               | Level-1-260C-UNLIM   | -40 to 125   | BB11174                 | <a href="#">Samples</a> |
| REG1117-3.3/2K5   | ACTIVE        | SOT-223      | DCY             | 4    | 2500        | RoHS & Green    | NIPDAU                               | Level-1-260C-UNLIM   | -40 to 125   | BB11174                 | <a href="#">Samples</a> |
| REG1117-3.3/2K5G4 | ACTIVE        | SOT-223      | DCY             | 4    | 2500        | RoHS & Green    | NIPDAU                               | Level-1-260C-UNLIM   | -40 to 125   | BB11174                 | <a href="#">Samples</a> |
| REG1117-3.3G4     | ACTIVE        | SOT-223      | DCY             | 4    | 80          | RoHS & Green    | NIPDAU                               | Level-1-260C-UNLIM   | -40 to 125   | BB11174                 | <a href="#">Samples</a> |
| REG1117-5         | ACTIVE        | SOT-223      | DCY             | 4    | 80          | RoHS & Green    | NIPDAU                               | Level-1-260C-UNLIM   | -40 to 125   | BB11175                 | <a href="#">Samples</a> |
| REG1117-5/2K5     | ACTIVE        | SOT-223      | DCY             | 4    | 2500        | RoHS & Green    | NIPDAU                               | Level-1-260C-UNLIM   | -40 to 125   | BB11175                 | <a href="#">Samples</a> |
| REG1117-5G4       | ACTIVE        | SOT-223      | DCY             | 4    | 80          | RoHS & Green    | NIPDAU                               | Level-1-260C-UNLIM   | -40 to 125   | BB11175                 | <a href="#">Samples</a> |
| REG1117/2K5       | ACTIVE        | SOT-223      | DCY             | 4    | 2500        | RoHS & Green    | NIPDAU                               | Level-1-260C-UNLIM   | -40 to 125   | BB1117                  | <a href="#">Samples</a> |
| REG1117/2K5G4     | ACTIVE        | SOT-223      | DCY             | 4    | 2500        | RoHS & Green    | NIPDAU                               | Level-1-260C-UNLIM   | -40 to 125   | BB1117                  | <a href="#">Samples</a> |
| REG1117A          | ACTIVE        | SOT-223      | DCY             | 4    | 80          | RoHS & Green    | NIPDAU                               | Level-1-260C-UNLIM   | -40 to 125   | BB1117A                 | <a href="#">Samples</a> |
| REG1117A-1.8      | ACTIVE        | SOT-223      | DCY             | 4    | 80          | RoHS & Green    | NIPDAU                               | Level-1-260C-UNLIM   | -40 to 125   | R111718                 | <a href="#">Samples</a> |
| REG1117A-1.8/2K5  | ACTIVE        | SOT-223      | DCY             | 4    | 2500        | RoHS & Green    | NIPDAU                               | Level-1-260C-UNLIM   | -40 to 125   | R111718                 | <a href="#">Samples</a> |
| REG1117A-1.8G4    | ACTIVE        | SOT-223      | DCY             | 4    | 80          | TBD             | Call TI                              | Call TI              | -40 to 125   |                         | <a href="#">Samples</a> |
| REG1117A-2.5      | ACTIVE        | SOT-223      | DCY             | 4    | 80          | RoHS & Green    | NIPDAU                               | Level-1-260C-UNLIM   | -40 to 125   | R111725                 | <a href="#">Samples</a> |
| REG1117A-2.5/2K5  | ACTIVE        | SOT-223      | DCY             | 4    | 2500        | RoHS & Green    | NIPDAU                               | Level-1-260C-UNLIM   | -40 to 125   | R111725                 | <a href="#">Samples</a> |
| REG1117A/2K5      | ACTIVE        | SOT-223      | DCY             | 4    | 2500        | RoHS & Green    | NIPDAU                               | Level-1-260C-UNLIM   | -40 to 125   | BB1117A                 | <a href="#">Samples</a> |

| Orderable Device   | Status<br>(1) | Package Type     | Package Drawing | Pins | Package Qty | Eco Plan<br>(2) | Lead finish/<br>Ball material<br>(6) | MSL Peak Temp<br>(3) | Op Temp (°C) | Device Marking<br>(4/5) | Samples                 |
|--------------------|---------------|------------------|-----------------|------|-------------|-----------------|--------------------------------------|----------------------|--------------|-------------------------|-------------------------|
| REG1117F-3.3/500   | ACTIVE        | DDPAK/<br>TO-263 | KTT             | 3    | 500         | RoHS & Green    | Call TI   SN                         | Level-2-260C-1 YEAR  | -40 to 125   | REG1117F4               | <a href="#">Samples</a> |
| REG1117FA-1.8KTTT  | ACTIVE        | DDPAK/<br>TO-263 | KTT             | 3    | 50          | RoHS & Green    | Call TI   SN                         | Level-2-260C-1 YEAR  | -40 to 125   | REG<br>1117FA1.8        | <a href="#">Samples</a> |
| REG1117FA-2.5/500  | ACTIVE        | DDPAK/<br>TO-263 | KTT             | 3    | 500         | RoHS & Green    | Call TI   SN                         | Level-2-260C-1 YEAR  | -40 to 125   | REG<br>1117FA2.5        | <a href="#">Samples</a> |
| REG1117FA-5.0/500  | ACTIVE        | DDPAK/<br>TO-263 | KTT             | 3    | 500         | RoHS & Green    | Call TI   SN                         | Level-2-260C-1 YEAR  | -40 to 125   | REG<br>1117FA5.0        | <a href="#">Samples</a> |
| REG1117FA/500      | ACTIVE        | DDPAK/<br>TO-263 | KTT             | 3    | 500         | RoHS & Green    | Call TI   SN                         | Level-2-260C-1 YEAR  | -40 to 125   | REG1117FA               | <a href="#">Samples</a> |
| REG1117FA1.8KTTTG3 | ACTIVE        | DDPAK/<br>TO-263 | KTT             | 3    | 50          | RoHS & Green    | SN                                   | Level-2-260C-1 YEAR  | -40 to 125   | REG<br>1117FA1.8        | <a href="#">Samples</a> |

(1) The marketing status values are defined as follows:

**ACTIVE:** Product device recommended for new designs.

**LIFEBUY:** TI has announced that the device will be discontinued, and a lifetime-buy period is in effect.

**NRND:** Not recommended for new designs. Device is in production to support existing customers, but TI does not recommend using this part in a new design.

**PREVIEW:** Device has been announced but is not in production. Samples may or may not be available.

**OBSELETE:** TI has discontinued the production of the device.

(2) **RoHS:** TI defines "RoHS" to mean semiconductor products that are compliant with the current EU RoHS requirements for all 10 RoHS substances, including the requirement that RoHS substance do not exceed 0.1% by weight in homogeneous materials. Where designed to be soldered at high temperatures, "RoHS" products are suitable for use in specified lead-free processes. TI may reference these types of products as "Pb-Free".

**RoHS Exempt:** TI defines "RoHS Exempt" to mean products that contain lead but are compliant with EU RoHS pursuant to a specific EU RoHS exemption.

**Green:** TI defines "Green" to mean the content of Chlorine (Cl) and Bromine (Br) based flame retardants meet JS709B low halogen requirements of <=1000ppm threshold. Antimony trioxide based flame retardants must also meet the <=1000ppm threshold requirement.

(3) MSL, Peak Temp. - The Moisture Sensitivity Level rating according to the JEDEC industry standard classifications, and peak solder temperature.

(4) There may be additional marking, which relates to the logo, the lot trace code information, or the environmental category on the device.

(5) Multiple Device Markings will be inside parentheses. Only one Device Marking contained in parentheses and separated by a "~" will appear on a device. If a line is indented then it is a continuation of the previous line and the two combined represent the entire Device Marking for that device.

(6) Lead finish/Ball material - Orderable Devices may have multiple material finish options. Finish options are separated by a vertical ruled line. Lead finish/Ball material values may wrap to two lines if the finish value exceeds the maximum column width.

**Important Information and Disclaimer:** The information provided on this page represents TI's knowledge and belief as of the date that it is provided. TI bases its knowledge and belief on information provided by third parties, and makes no representation or warranty as to the accuracy of such information. Efforts are underway to better integrate information from third parties. TI has taken and continues to take reasonable steps to provide representative and accurate information but may not have conducted destructive testing or chemical analysis on incoming materials and chemicals. TI and TI suppliers consider certain information to be proprietary, and thus CAS numbers and other limited information may not be available for release.

In no event shall TI's liability arising out of such information exceed the total purchase price of the TI part(s) at issue in this document sold by TI to Customer on an annual basis.

## TAPE AND REEL INFORMATION



### QUADRANT ASSIGNMENTS FOR PIN 1 ORIENTATION IN TAPE



\*All dimensions are nominal

| Device           | Package Type | Package Drawing | Pins | SPQ  | Reel Diameter (mm) | Reel Width W1 (mm) | A0 (mm) | B0 (mm) | K0 (mm) | P1 (mm) | W (mm) | Pin1 Quadrant |
|------------------|--------------|-----------------|------|------|--------------------|--------------------|---------|---------|---------|---------|--------|---------------|
| REG1117-2.85/2K5 | SOT-223      | DCY             | 4    | 2500 | 330.0              | 12.4               | 7.1     | 7.45    | 1.88    | 8.0     | 12.0   | Q3            |
| REG1117-3.3/2K5  | SOT-223      | DCY             | 4    | 2500 | 330.0              | 12.4               | 7.1     | 7.45    | 1.88    | 8.0     | 12.0   | Q3            |
| REG1117-5/2K5    | SOT-223      | DCY             | 4    | 2500 | 330.0              | 12.4               | 7.1     | 7.45    | 1.88    | 8.0     | 12.0   | Q3            |
| REG1117/2K5      | SOT-223      | DCY             | 4    | 2500 | 330.0              | 12.4               | 7.1     | 7.45    | 1.88    | 8.0     | 12.0   | Q3            |
| REG1117A-1.8/2K5 | SOT-223      | DCY             | 4    | 2500 | 330.0              | 12.4               | 7.1     | 7.45    | 1.88    | 8.0     | 12.0   | Q3            |
| REG1117A-2.5/2K5 | SOT-223      | DCY             | 4    | 2500 | 330.0              | 12.4               | 7.1     | 7.45    | 1.88    | 8.0     | 12.0   | Q3            |
| REG1117A/2K5     | SOT-223      | DCY             | 4    | 2500 | 330.0              | 12.4               | 7.1     | 7.45    | 1.88    | 8.0     | 12.0   | Q3            |

**TAPE AND REEL BOX DIMENSIONS**


\*All dimensions are nominal

| Device           | Package Type | Package Drawing | Pins | SPQ  | Length (mm) | Width (mm) | Height (mm) |
|------------------|--------------|-----------------|------|------|-------------|------------|-------------|
| REG1117-2.85/2K5 | SOT-223      | DCY             | 4    | 2500 | 358.0       | 335.0      | 35.0        |
| REG1117-3.3/2K5  | SOT-223      | DCY             | 4    | 2500 | 358.0       | 335.0      | 35.0        |
| REG1117-5/2K5    | SOT-223      | DCY             | 4    | 2500 | 358.0       | 335.0      | 35.0        |
| REG1117/2K5      | SOT-223      | DCY             | 4    | 2500 | 358.0       | 335.0      | 35.0        |
| REG1117A-1.8/2K5 | SOT-223      | DCY             | 4    | 2500 | 358.0       | 335.0      | 35.0        |
| REG1117A-2.5/2K5 | SOT-223      | DCY             | 4    | 2500 | 358.0       | 335.0      | 35.0        |
| REG1117A/2K5     | SOT-223      | DCY             | 4    | 2500 | 358.0       | 335.0      | 35.0        |



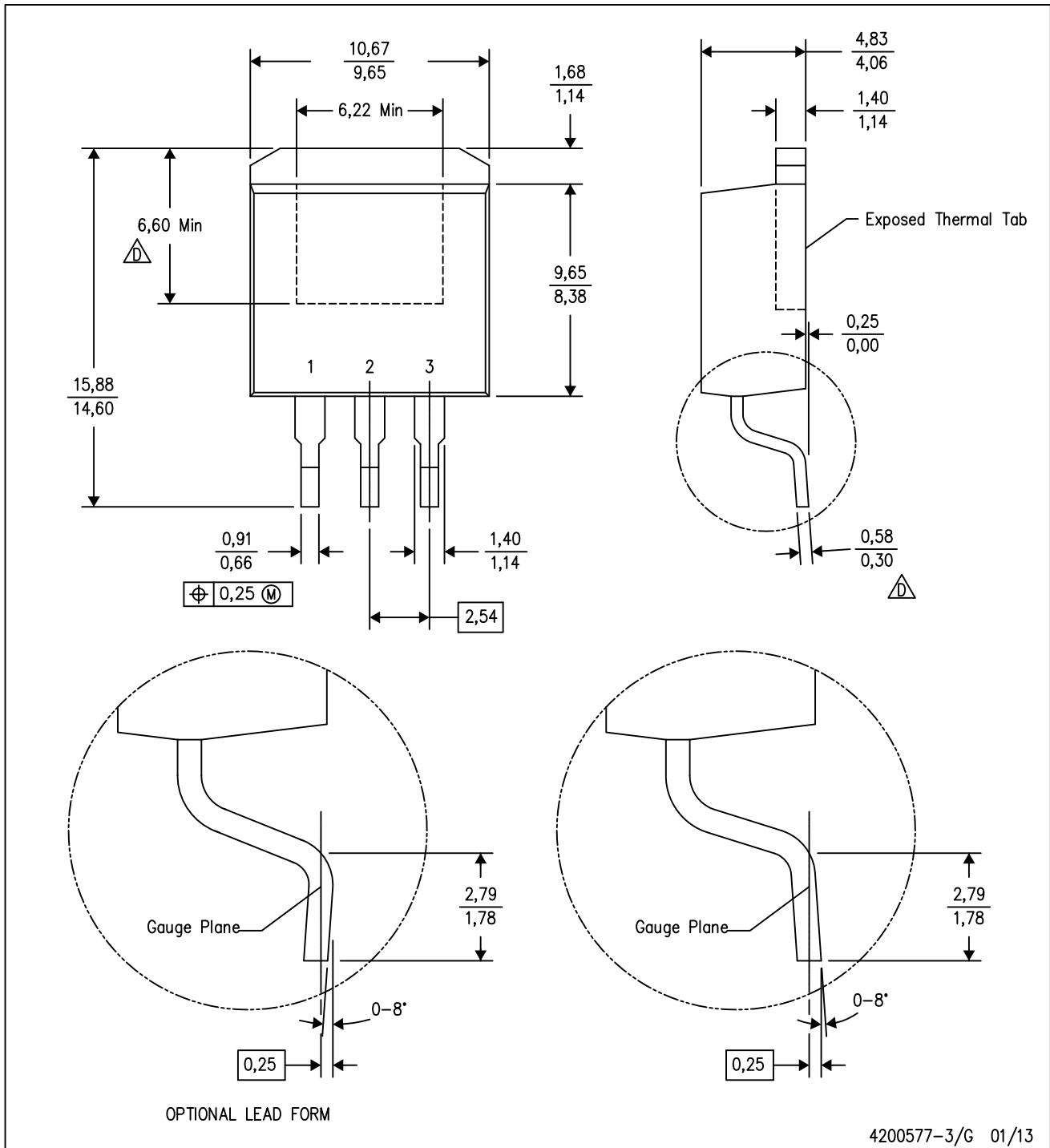
**TUBE**


\*All dimensions are nominal

| Device         | Package Name | Package Type | Pins | SPQ | L (mm) | W (mm) | T (μm) | B (mm) |
|----------------|--------------|--------------|------|-----|--------|--------|--------|--------|
| REG1117        | DCY          | SOT-223      | 4    | 80  | 542.9  | 8.6    | 3606   | 2.67   |
| REG1117-2.85   | DCY          | SOT-223      | 4    | 80  | 542.9  | 8.6    | 3606   | 2.67   |
| REG1117-2.85G4 | DCY          | SOT-223      | 4    | 80  | 542.9  | 8.6    | 3606   | 2.67   |
| REG1117-3.3    | DCY          | SOT-223      | 4    | 80  | 542.9  | 8.6    | 3606   | 2.67   |
| REG1117-3.3G4  | DCY          | SOT-223      | 4    | 80  | 542.9  | 8.6    | 3606   | 2.67   |
| REG1117-5      | DCY          | SOT-223      | 4    | 80  | 542.9  | 8.6    | 3606   | 2.67   |
| REG1117-5G4    | DCY          | SOT-223      | 4    | 80  | 542.9  | 8.6    | 3606   | 2.67   |
| REG1117A       | DCY          | SOT-223      | 4    | 80  | 542.9  | 8.6    | 3606   | 2.67   |
| REG1117A-1.8   | DCY          | SOT-223      | 4    | 80  | 542.9  | 8.6    | 3606   | 2.67   |
| REG1117A-2.5   | DCY          | SOT-223      | 4    | 80  | 542.9  | 8.6    | 3606   | 2.67   |

KTT (R-PSFM-G3)

PLASTIC FLANGE-MOUNT PACKAGE

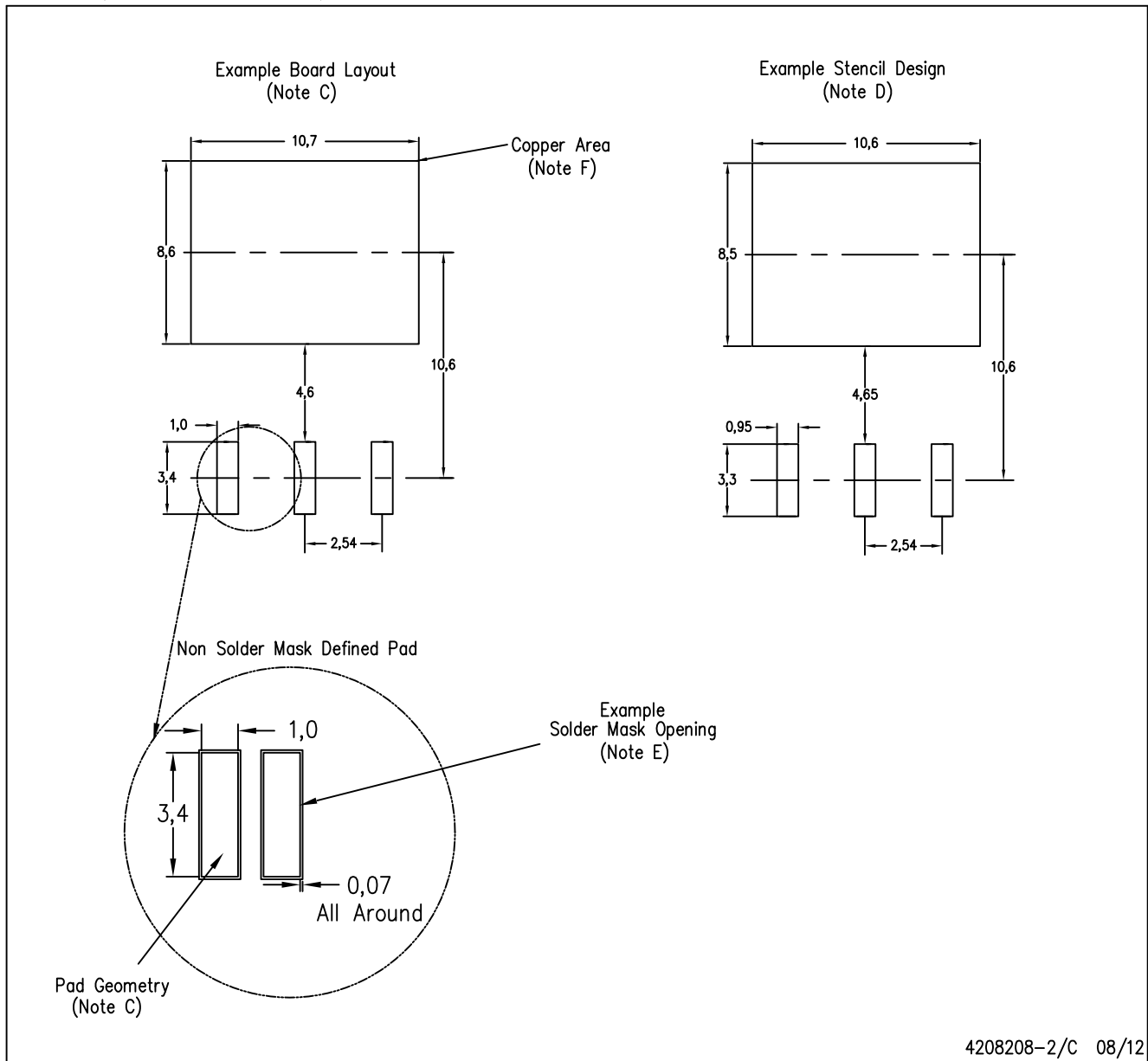


4200577-3/G 01/13

- NOTES:
- A. All linear dimensions are in millimeters.
  - B. This drawing is subject to change without notice.
  - C. Body dimensions do not include mold flash or protrusion. Mold flash or protrusion not to exceed 0.005 (0,13) per side.
- Falls within JEDEC TO-263 variation AA, except minimum lead thickness and minimum exposed pad length.

KTT (R-PSFM-G3)

PLASTIC FLANGE-MOUNT PACKAGE



- NOTES:
- All linear dimensions are in millimeters.
  - This drawing is subject to change without notice.
  - Publication IPC-SM-782 is recommended for alternate designs.
  - Laser cutting apertures with trapezoidal walls and also rounding corners will offer better paste release. Customers should contact their board assembly site for stencil design recommendations. Refer to IPC-7525.
  - Customers should contact their board fabrication site for solder mask tolerances between and around signal pads.
  - This package is designed to be soldered to a thermal pad on the board. Refer to the Product Datasheet for specific thermal information, via requirements, and recommended thermal pad size. For thermal pad sizes larger than shown a solder mask defined pad is recommended in order to maintain the solderable pad geometry while increasing copper area.

DCY (R-PDSO-G4)

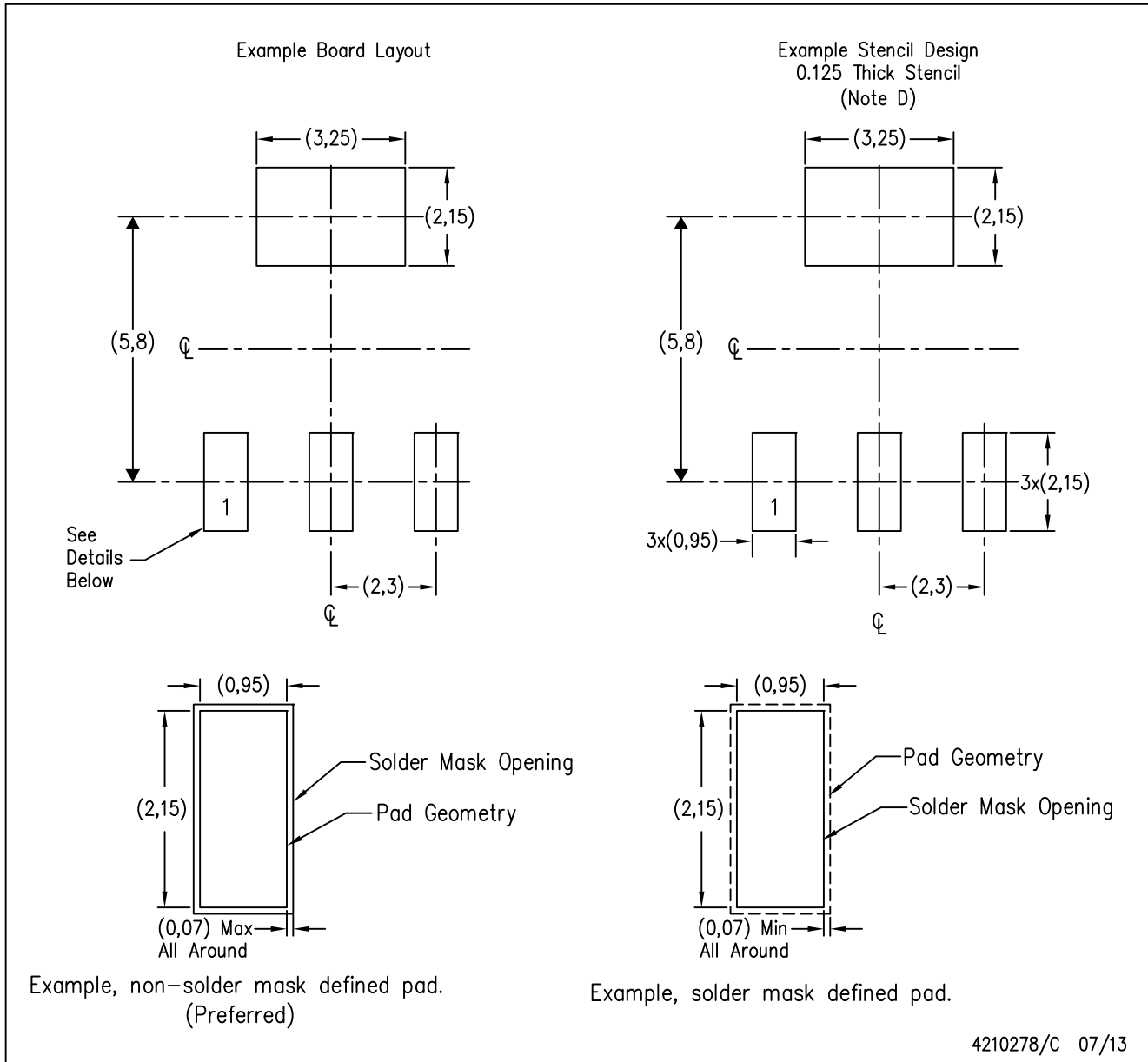
PLASTIC SMALL-OUTLINE



- NOTES: A. All linear dimensions are in millimeters (inches).  
 B. This drawing is subject to change without notice.  
 C. Body dimensions do not include mold flash or protrusion.  
 D. Falls within JEDEC TO-261 Variation AA.

DCY (R-PDSO-G4)

PLASTIC SMALL OUTLINE



- NOTES:
- A. All linear dimensions are in millimeters.
  - B. This drawing is subject to change without notice.
  - C. Publication IPC-7351 is recommended for alternate designs.
  - D. Laser cutting apertures with trapezoidal walls and also rounding corners will offer better paste release. Customers should contact their board assembly site for stencil recommendations. Refer to IPC 7525 for stencil design considerations.

## IMPORTANT NOTICE AND DISCLAIMER

TI PROVIDES TECHNICAL AND RELIABILITY DATA (INCLUDING DATA SHEETS), DESIGN RESOURCES (INCLUDING REFERENCE DESIGNS), APPLICATION OR OTHER DESIGN ADVICE, WEB TOOLS, SAFETY INFORMATION, AND OTHER RESOURCES "AS IS" AND WITH ALL FAULTS, AND DISCLAIMS ALL WARRANTIES, EXPRESS AND IMPLIED, INCLUDING WITHOUT LIMITATION ANY IMPLIED WARRANTIES OF MERCHANTABILITY, FITNESS FOR A PARTICULAR PURPOSE OR NON-INFRINGEMENT OF THIRD PARTY INTELLECTUAL PROPERTY RIGHTS.

These resources are intended for skilled developers designing with TI products. You are solely responsible for (1) selecting the appropriate TI products for your application, (2) designing, validating and testing your application, and (3) ensuring your application meets applicable standards, and any other safety, security, regulatory or other requirements.

These resources are subject to change without notice. TI grants you permission to use these resources only for development of an application that uses the TI products described in the resource. Other reproduction and display of these resources is prohibited. No license is granted to any other TI intellectual property right or to any third party intellectual property right. TI disclaims responsibility for, and you will fully indemnify TI and its representatives against, any claims, damages, costs, losses, and liabilities arising out of your use of these resources.

TI's products are provided subject to [TI's Terms of Sale](#) or other applicable terms available either on [ti.com](http://ti.com) or provided in conjunction with such TI products. TI's provision of these resources does not expand or otherwise alter TI's applicable warranties or warranty disclaimers for TI products.

TI objects to and rejects any additional or different terms you may have proposed.

Mailing Address: Texas Instruments, Post Office Box 655303, Dallas, Texas 75265  
Copyright © 2022, Texas Instruments Incorporated